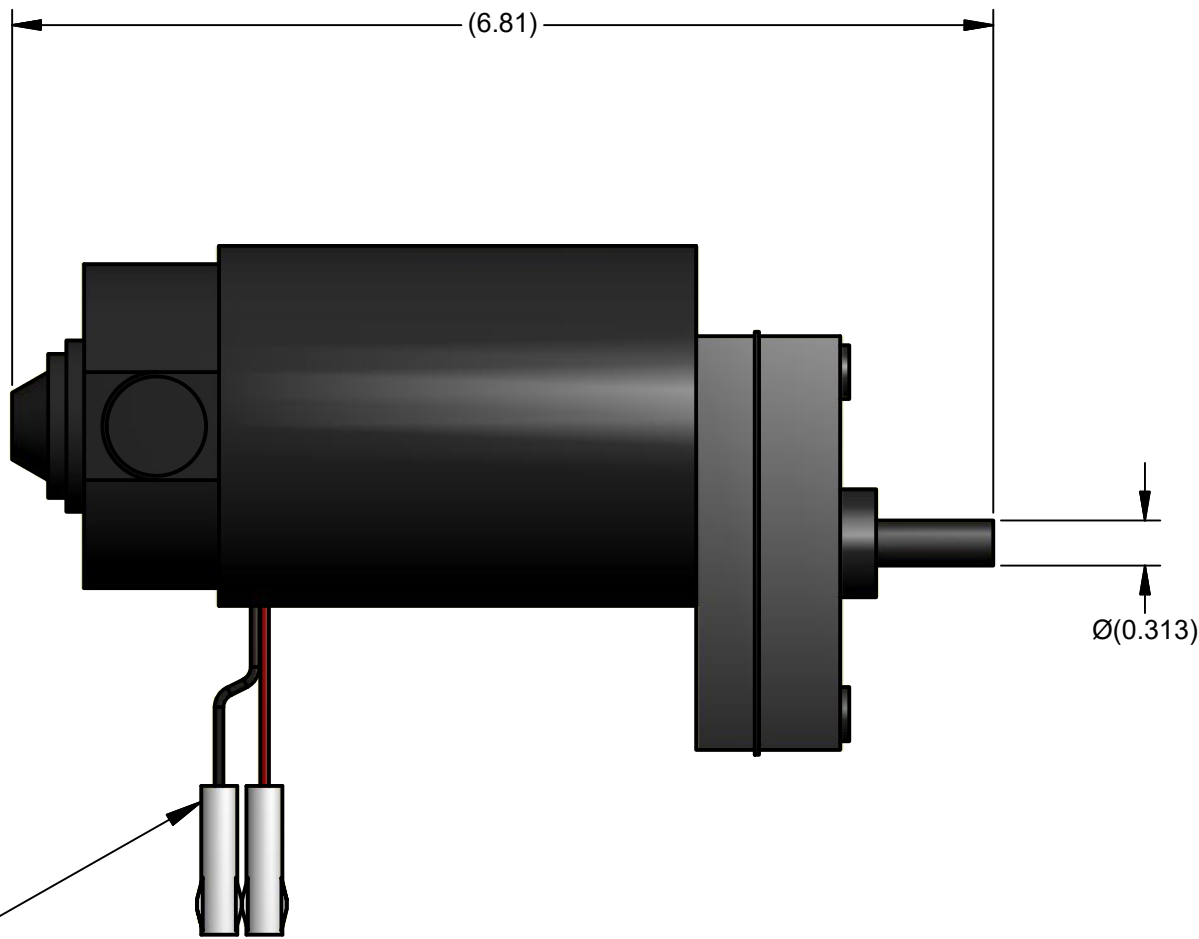
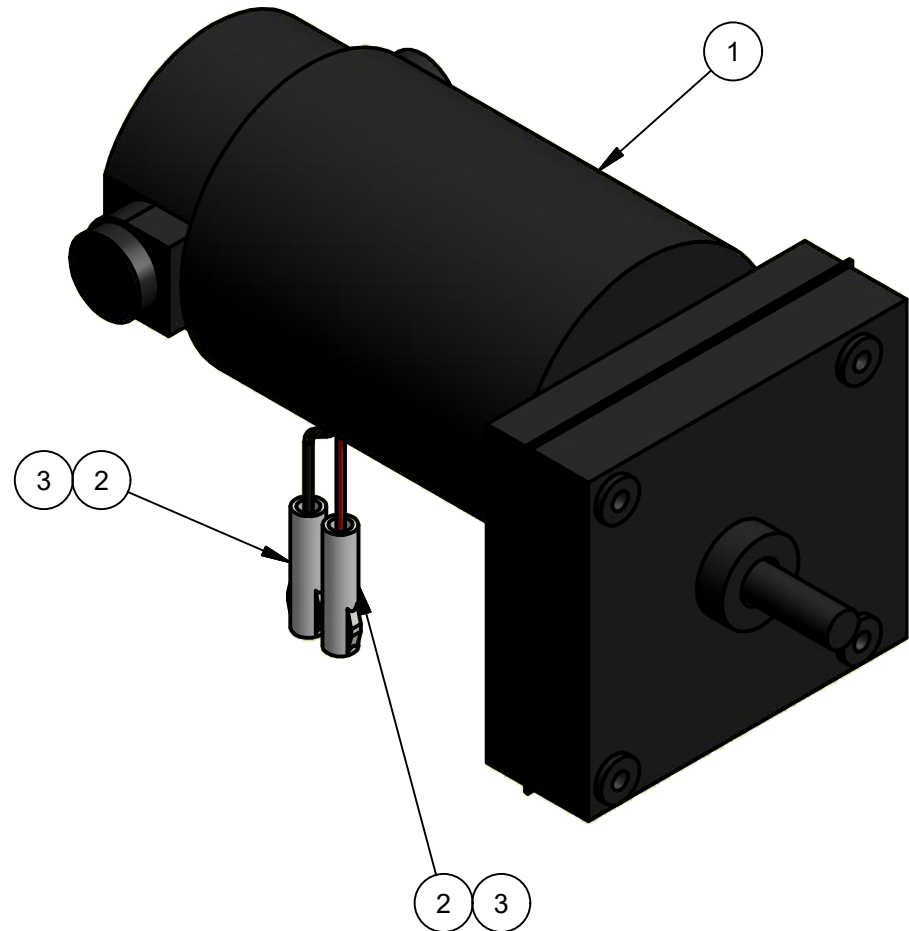


REVISION HISTORY				
REV	ECN	DATE	DONE BY	DESCRIPTION
1	3890	9/28/2018	MJA	MOTOR WAS 1839-015



USE HEAT SHRINK  
TO COVER WIRES AND CONNECTORS



ITEM	QTY	PART NUMBER	DESCRIPTION
3	2	1878-030	TERMINAL, CONNECTOR MALE
2	2	1878-031	CONNECTOR, PLASTIC, MALE
1	1	1839-091	GEARMOTOR, 90VDC, 93 RPM

**Material Specification**

**HEAT SEAL/AMPAK**  
CLEVELAND, OHIO 44125

<p><b>CONFIDENTIAL</b> THIS PRINT IS PROPERTY OF, AND DISCLOSES PROPRIETARY INFORMATION OF HEAT SEAL. IT IS LOANED FOR REFERENCE ONLY, AND MAY NOT BE REPRODUCED OR FORWARDED ELECTRONICALLY IN ANY MANNER, OR ITS CONTENTS DISCLOSED TO OTHERS, WITHOUT THE EXPLICIT WRITTEN PERMISSION OF OWNER AND MUST BE DESTROYED UPON REQUEST.</p>	UNLESS OTHERWISE SPECIFIED:	CREATED: 8/16/2017	DESCRIPTION: <b>PFU MOTOR ASSEMBLY</b>	
	ALL DIMENSIONS IN INCHES	CREATED BY: roodhousej	DRAWING NUMBER: <b>5821-322</b>	
	STANDARD TOLERANCES:	CHECKED:	REVISION: <b>1</b>	
	0.00: ± .010 0.000: ± .005 ANGLE: ± 1'	CHECKED BY:	SIZE: B	SCALE: NONE