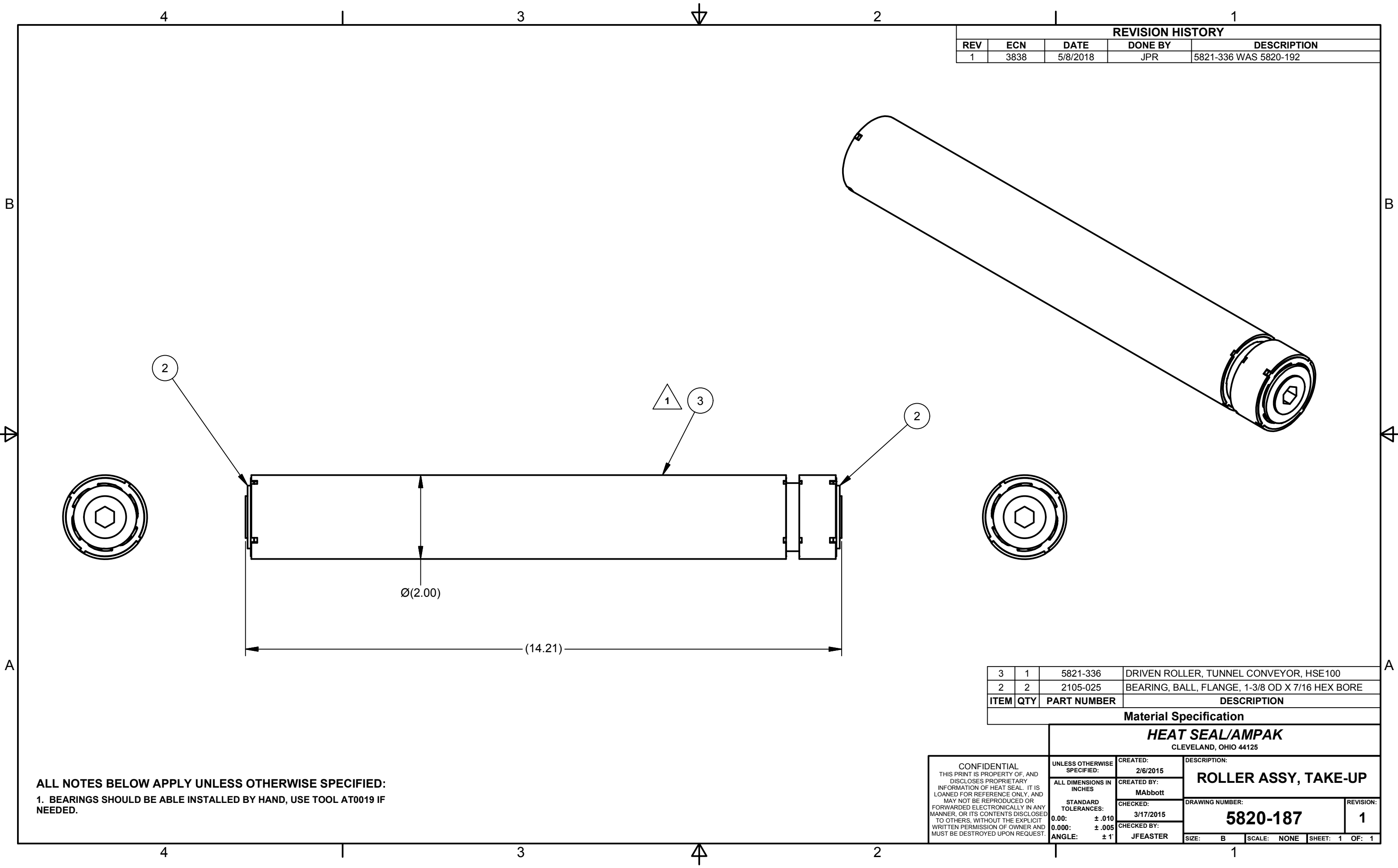


REVISION HISTORY				
REV	ECN	DATE	DONE BY	DESCRIPTION
1	3838	5/8/2018	JPR	5821-336 WAS 5820-192



ITEM	QTY	PART NUMBER	DESCRIPTION
3	1	5821-336	DRIVEN ROLLER, TUNNEL CONVEYOR, HSE100
2	2	2105-025	BEARING, BALL, FLANGE, 1-3/8 OD X 7/16 HEX BORE

Material Specification
HEAT SEAL/AMPAK
 CLEVELAND, OHIO 44125

<p>CONFIDENTIAL THIS PRINT IS PROPERTY OF, AND DISCLOSES PROPRIETARY INFORMATION OF HEAT SEAL. IT IS LOANED FOR REFERENCE ONLY, AND MAY NOT BE REPRODUCED OR FORWARDED ELECTRONICALLY IN ANY MANNER, OR ITS CONTENTS DISCLOSED TO OTHERS, WITHOUT THE EXPLICIT WRITTEN PERMISSION OF OWNER AND MUST BE DESTROYED UPON REQUEST.</p>	UNLESS OTHERWISE SPECIFIED:	CREATED: 2/6/2015	DESCRIPTION: ROLLER ASSY, TAKE-UP	
	ALL DIMENSIONS IN INCHES	CREATED BY: MAbbott	DRAWING NUMBER: 5820-187	
	STANDARD TOLERANCES: 0.00: ± .010 0.000: ± .005 ANGLE: ± 1'	CHECKED: 3/17/2015	REVISION: 1	
		CHECKED BY: JFEASTER	SIZE: B	SCALE: NONE

ALL NOTES BELOW APPLY UNLESS OTHERWISE SPECIFIED:
 1. BEARINGS SHOULD BE ABLE INSTALLED BY HAND, USE TOOL AT0019 IF NEEDED.