

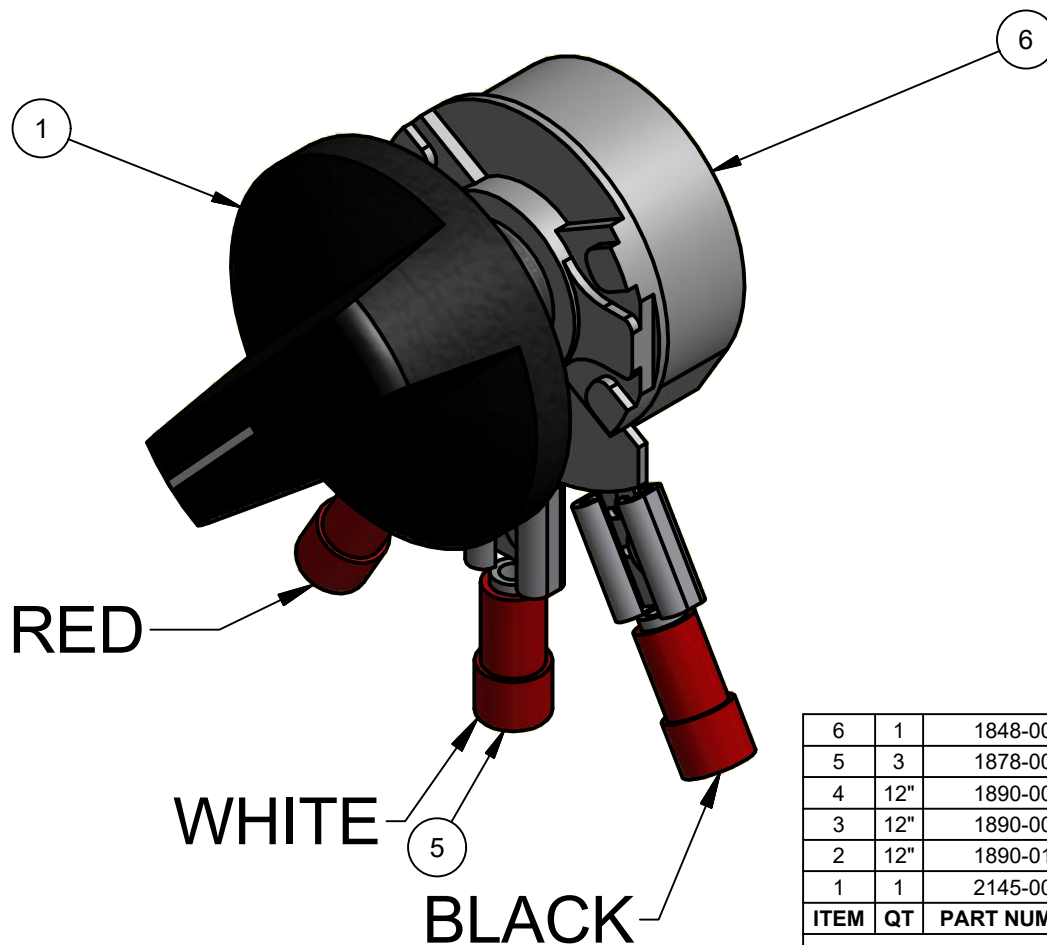
2



1

REVISION HISTORY

REV	ECN	DATE	DONE BY	DESCRIPTION
1	4151	11/6/2020	PYC	ADDED 1878-007, 1890-008, 1890-009, 1890-010



6	1	1848-001	Potentiometer, Speed Control, 10k Ohm
5	3	1878-007	TERMINAL, FEMALE, SLIP-ON, 16-14 INSULATED, BLUE
4	12"	1890-008	WIRE, BLACK, 14GA, 600V
3	12"	1890-009	WIRE, WHITE, 14GA, 600V
2	12"	1890-010	WIRE, RED, 14GA, 600V
1	1	2145-007	Knob, Potentiometer Control
ITEM	QT	PART NUMBER	DESCRIPTION

Material Specification

HEAT SEAL/AMPAK

CLEVELAND, OHIO 44125

CONFIDENTIAL
THIS PRINT IS PROPERTY OF, AND DISCLOSES PROPRIETARY INFORMATION OF HEAT SEAL. IT IS LOANED FOR REFERENCE ONLY, AND MAY NOT BE REPRODUCED OR FORWARDED ELECTRONICALLY IN ANY MANNER, OR ITS CONTENTS DISCLOSED TO OTHERS, WITHOUT THE EXPLICIT WRITTEN PERMISSION OF OWNER AND MUST BE DESTROYED UPON REQUEST.

UNLESS OTHERWISE SPECIFIED:

ALL DIMENSIONS IN INCHES

STANDARD TOLERANCES:

0.00: ± .010

0.000: ± .005

ANGLE: ± 1'

CREATED:
8/4/2016

CREATED BY:
beauregardk

CHECKED:

CHECKED BY:

DESCRIPTION:

**POTENTIOMETER ASSEMBLY,
SPEED CONTROL**

DRAWING NUMBER:

5805-097

REVISION:

1

SIZE: A SCALE: NONE SHEET: 1 OF: 1

2



1

B

B



A

A