

4

3

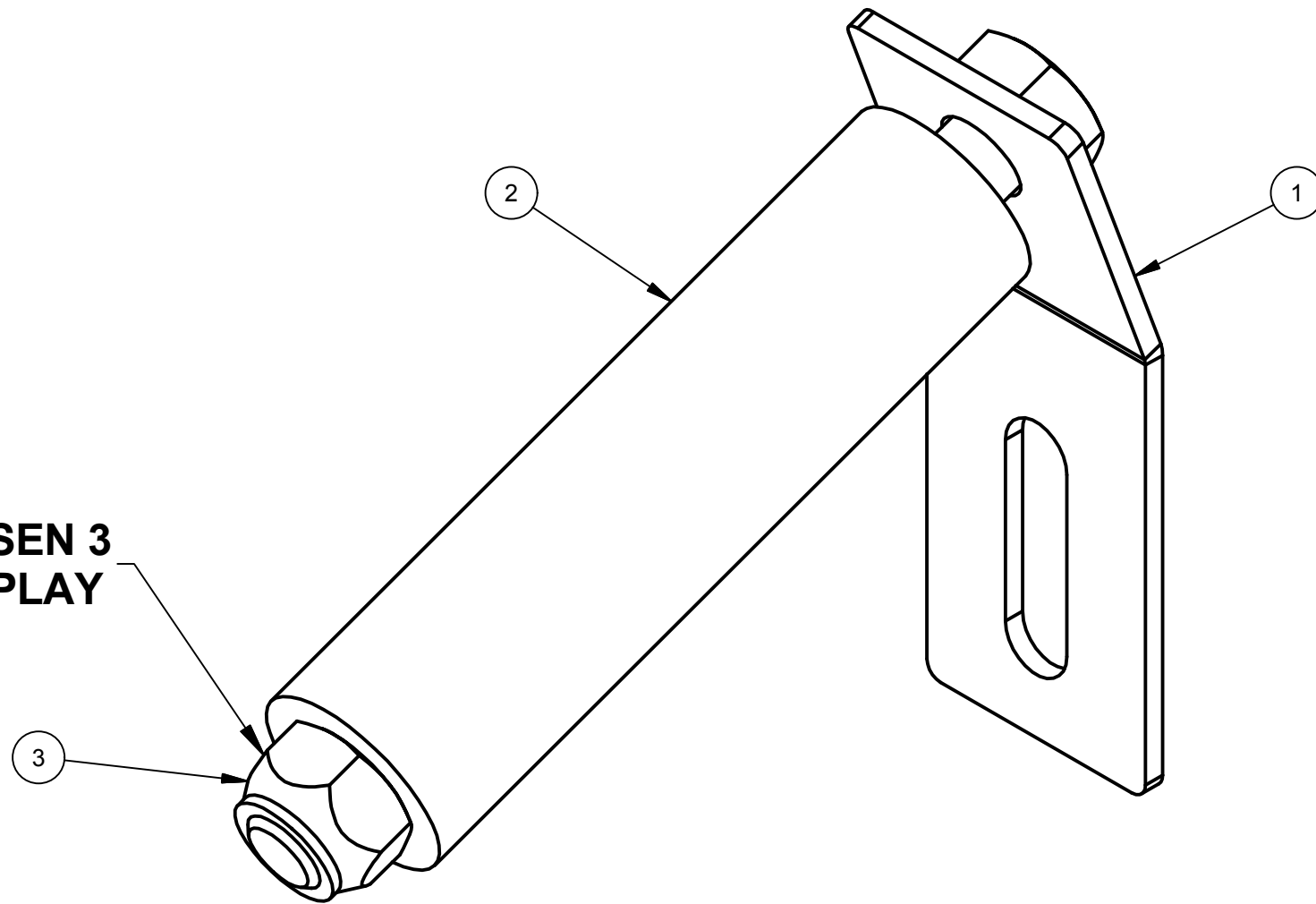
2

1

B

B

**TIGHTEN NUT, THEN LOOSEN 3  
TURNS TO ALLOW FREE PLAY**



A

A

A

A

4

3

2

1



3	1	1911-061	LOCKNUT, NYLON, INSERT 5/16-18 UNC, SS
2	1	6003-038	GUIDE, BELT - CONVEYOR
1	1	5506-067	BRACKET, GUIDE ROLLER ASSY
ITEM	QT	PART NUMBER	DESCRIPTION

**Material Specification**

**HEAT SEAL/AMPAK**  
CLEVELAND, OHIO 44125

**CONFIDENTIAL**  
THIS PRINT IS PROPERTY OF, AND DISCLOSES PROPRIETARY INFORMATION OF HEAT SEAL. IT IS LOANED FOR REFERENCE ONLY, AND MAY NOT BE REPRODUCED OR FORWARDED ELECTRONICALLY IN ANY MANNER, OR ITS CONTENTS DISCLOSED TO OTHERS, WITHOUT THE EXPLICIT WRITTEN PERMISSION OF OWNER AND MUST BE DESTROYED UPON REQUEST.

UNLESS OTHERWISE SPECIFIED:	CREATED: 1/9/2018	DESCRIPTION:
ALL DIMENSIONS IN INCHES	CREATED BY: lazors	<b>GUIDE ROLLER ASSY</b>
STANDARD TOLERANCES:	CHECKED:	
0.00: ± .010 0.000: ± .005 ANGLE: ± 1'	CHECKED BY:	

DRAWING NUMBER: <b>5506-068</b>	REVISION: <b>0</b>
------------------------------------	-----------------------

SIZE: B	SCALE: NONE	SHEET: 1	OF: 1
---------	-------------	----------	-------