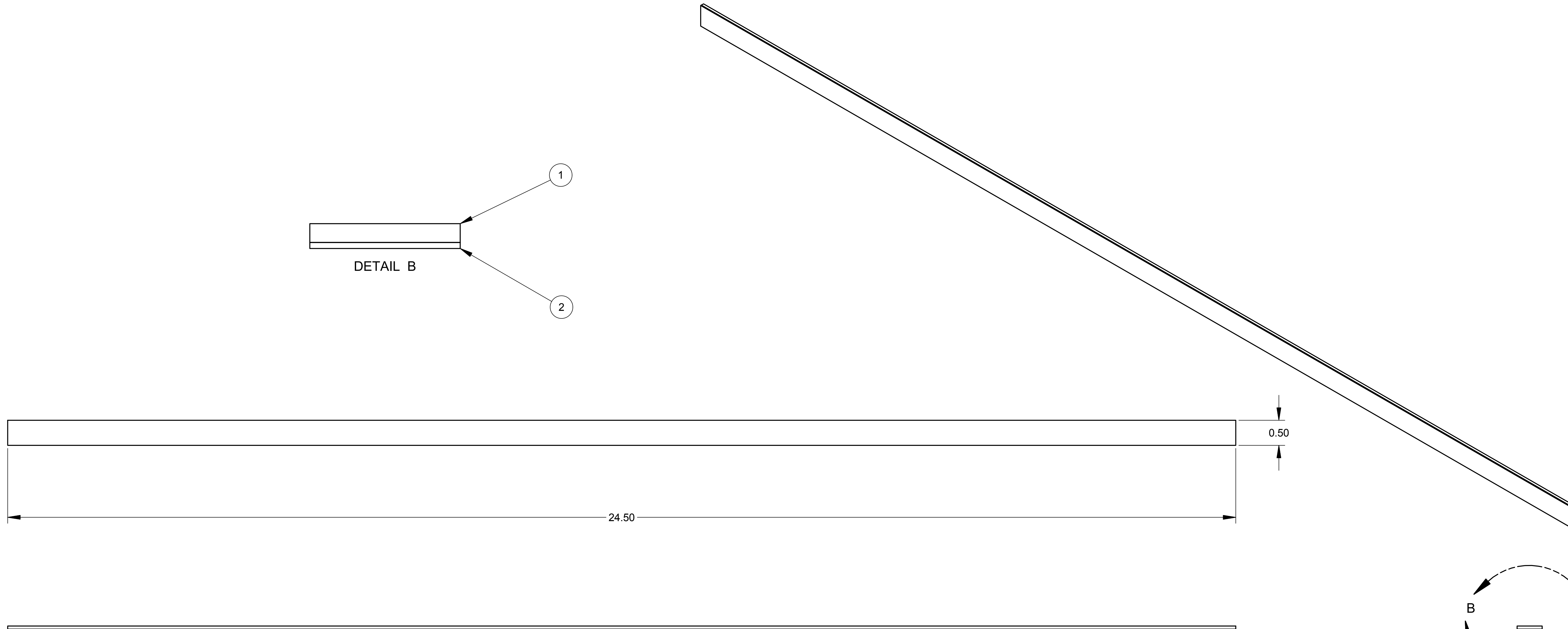


REVISION HISTORY				
REV	ECN	DATE	DONE BY	DESCRIPTION
1	4181	1/19/2021	MG	ADDED 2180-006



ITEM	QTY	PART NUMBER	DESCRIPTION
2	1	2180-006	TAPE, DOUBLE COATED MYLAR, .5" WIDE
1	1	2207-007-01	STRIP, INSULATION, 1/2 W X 24 1/5 LG X 1/16 THK, G5

**Material Specification**

**HEAT SEAL/AMPAK**  
CLEVELAND, OHIO 44125

**STRIP, INSULATION, ASSEMBLY, 24.5 L, WITH TAPE**

<p>CONFIDENTIAL THIS PRINT IS PROPERTY OF, AND DISCLOSES PROPRIETARY INFORMATION OF HEAT SEAL. IT IS LOANED FOR REFERENCE ONLY, AND MAY NOT BE REPRODUCED OR FORWARDED ELECTRONICALLY IN ANY MANNER, OR ITS CONTENTS DISCLOSED TO OTHERS, WITHOUT THE EXPLICIT WRITTEN PERMISSION OF OWNER AND MUST BE DESTROYED UPON REQUEST.</p>	UNLESS OTHERWISE SPECIFIED:	CREATED:
	ALL DIMENSIONS IN INCHES	1/19/2021
	STANDARD TOLERANCES:	CREATED BY:
	0.00: ± .010	EngineeringIntern
0.000: ± .005	CHECKED:	
ANGLE: ± 1'	CHECKED BY:	

DRAWING NUMBER:	REVISION:
<b>2207-007</b>	<b>1</b>
SIZE: D	SCALE: NONE
SHEET: 1	OF: 1

**NOTE:**  
1. KEEP BACKING ON TAPE AFTER ASSEMBLED TO INSULATION